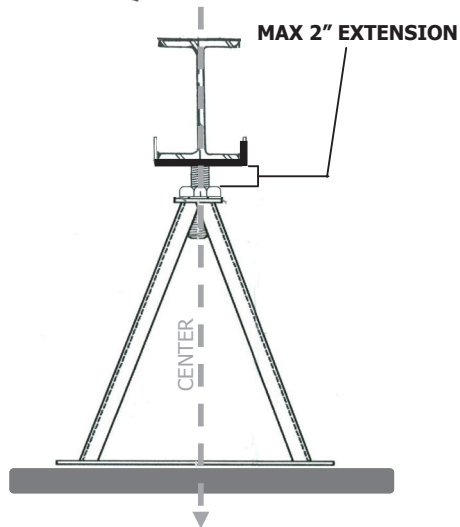


# Minute Man Products, inc.



"Specializing in Anchoring Earth Bound Objects"



## MINUTE MAN ANCHORS RADCO # 1350

RATED 6,000 POUNDS/2" MAX PIER HEAD EXTENSION  
**WARNING!** DO NOT SET PIER DIRECTLY ON SOIL  
DO NOT USE PIER AS AN AUTOMOTIVE JACK STAND

## Foundation Pier Installation Instructions

**For your safety read, understand, and follow** the information provided with and on these foundation piers before installing. The manufactured unit shall be installed and leveled by qualified contracting personnel who are trained and licensed by the governing authority. Minute Man Foundation Piers are engineered to support on frame manufactured and modular homes and commercial modular structures. Foundation piers are designed and tested to vertical loads for a support rating of 6,000 lbs. (1 pier). Minute Man Foundation Piers should be placed directly under main support frames (I-beams). Design support configurations for pier loads, pier spacing, and live roof loads must be consistent with unit manufacturers installation guidelines (instructions) and/or State and local regulations. (HUD Code Part 3285.303,310).

## FOUNDATION SET-UP PROCEDURES

1. The foundation pier is best suited to a dry environment and are not recommended for use within 1500 feet of a coastline. All piers must be attached to the I-beams with a compatible pier head to prevent horizontal movement.
2. Refer to unit manufacturers installation instructions for proper leveling procedures before installing foundation piers. **Warning, no one should be under the unit while jacks are being operated or while the unit is supported only on the jacks. Be sure to use sufficient jacks, safety cribbing and blocking to safely support the home before installing piers. Piers should never be installed individually under a unit. A complete system of foundation piers must be set before the weight of the unit is lowered onto the piers. Failure to follow this step could result in serious injury or death.**
3. Determine the pier height that will be best for each individual pier location and insure that the height from the footer to the bottom of the chassis I-beam is no greater than 30 inches. Insure that the pier heads are compatible to I-beam chassis or for marriage line.
4. Each pier must be supported underneath with a compatible footer on a prepared level surface. Design support configurations for pier loads, pier spacing, and live loads must be consistent with unit manufacturer's installation guidelines (instructions) and/or State and local regulations (HUD Code Part 3285.303,310).
5. Center the pier on the footer. Where required by local code, secure the pier to the footer with appropriate fasteners. In no case should you extend the threaded rod of the pier head more than two inches. When more height is needed, use the next taller sized pier. Carefully align the support pier under the center of chassis beam or marriage line and install the pier head. Tighten and snug nut plus one-half turn.
6. Repeat the installation process with each pier. **After all foundation piers are installed properly you may remove the safety cribbing, blocking, and jacks used to initially level the unit.**