

# *Minute Man* **Anchors, inc.**

## Installation Instructions for LLBS Longitudinal and Lateral Bracing System Wind Zones I-II & III ground and concrete applications

### **Special State requirements**

**Alabama** - Maximum Pier Height 32". HUD Code Homes Only.

**Florida** - See Florida zone II & III Instructions.

**Michigan** - Foundation depth must be 42" below grade as per Chapter 1805.2.1 2000 Michigan Building Code.

**Missouri** - Anchors, stabilizer devices and frame ties with an allowable working load equal to or exceeding 3150 lbs. and are capable of withstanding a 50% overload (4725 lbs total) are required within 2' of the 4 corners on all single wide homes.

**North Carolina** - Requires that the bottom of footings be placed 4" under the soil, or at the frost line.

Minute Man Anchors LLBS System must be installed in complete accordance with Minute Man Anchors Installation instructions and the Home Manufacturer's Instructions.

Minute Man Anchors LLBS System is evaluated, tested and approved by a Professional Engineer.

Minute Man Anchors LLBS System must be allowed by the authority having jurisdiction.

Thank you for using Minute Man Products, Inc. If you have any questions, please call us at: (828) 692-0256

# *Minute Man* anchors<sup>®</sup>, Inc.

## LIMITED WARRANTY

Minute Man Anchors, Inc. warrants its product is free from defects in materials and Workmanship at the time of installation when properly installed in accordance with the Installation instructions. THE FOREGOING WARRANTY IS IN LIEU OF ANY OTHER WARRANTY, WHETHER EXPRESS OR IMPLIED, WRITTEN OR ORAL, INCLUDING ANY WARRANT OF MERCHANTABILITY OR FITNESS FOR A PARTICULAR PURPOSE. ANY LIABILITY IS EXPRESSLY LIMITED TO AN AMOUNT EQUAL TO THE PURCHASE PRICE PAID, AND ALL CLAIMS FOR SPECIAL, INCIDENTAL AND CONSEQUENTIAL DAMAGES ARE HEREBY EXCLUDED. Minute Man does not assume any other liability or obligation in connection with the sale or use of this product.

If the product is defective at the time of delivery or installation and you give prompt notice to Minute Man no later than thirty (30) days of attempted installation of the defect, Minute Man, at its option, will replace the product at no cost or refund the full amount of the purchase price, provided the defective product is returned to Minute Man with proof of purchase at the address set forth below. **PRODUCT REPLACEMENT OR REFUND IS YOUR SOLE AND EXCLUSIVE REMEDY.**

This warranty extends only to the distributor and original installer of the product and does not cover a defect resulting from abuse, misuse, neglect, repairs, any use not in conformity with the printed instructions or installation by unauthorized personnel.

This warranty gives you specific legal rights, and you may also have other legal rights which vary from state to state. Some states do not allow limitations on implied warranties or special, incidental or consequential damages, so the foregoing limitations may not apply to you.

If you have a claim under this warranty, please contact our CUSTOMER SERVICE department (have model and type numbers available):

### CUSTOMER SERVICE

Toll Free in the U.S. 1-800-438-7277

1-828-692-0256

### OR WRITE TO:

Minute Man-Customer Service

305 West King Street

East Flat Rock, NC 28726

To our knowledge, the information provided in and by the independent, profession engineers' reports and certifications and obtained from other independent sources contained in the installation instructions and product manuals is accurate. However, Minute Man Anchors, Inc. cannot assume any liability whatsoever for the accuracy or completeness thereof. Final determination of the suitability of any information or material for the use contemplated is the sole responsibility of the user. Specifications are subject to change without notice. The load ratings established in the report are not valid in any application where the use of the product would overload any structural member of the home or foundation.

Patent Number  
6622439

# Minute Man Anchors, inc.

**Installation Instructions for Model LLBS Longitudinal and  
Lateral Bracing System Zone II**

**Note:** Your set must be designed by a Registered Professional Engineer if all or one of the following conditions occur:

Location is within 1,500 feet of Coast	Roof eaves exceeds 16"
Pier Height exceeds 48"	Main beam spacing exceeds 99.5"
Sidewall height exceeds 96"	

- 1 Refer to the Home Manufacturer Installation Instructions for pier locations. Note: SD3 pad is 2.8 square foot. Vertical tie anchors are required in accordance with home manufacturer. Vertical ties must be used at all connection points furnished by the home manufacturer. Marriage wall anchors are required in accordance with the Home Manufacturer Instructions.
- 2 Refer to the Systems Placement Plans for the location of Longitudinal Lateral Bracing System. **(See Attached)**
- 3 Remove turf to expose firm soil at each SD3 pad location. Install SD3 pad to manufacturer, state, local codes, and frost line guidelines as it may apply. For extremely hard or rocky soil, mark four (4) slots and pre-drill soil with a 3/4 x 12" masonry drill bit.
- 4 Attach tube clip to SD3 pier pads (see Detail Assembly Drawing) center pad under beam, level pad. Angle Drive Pins may be driven vertically through four (4) slots in SD3 pier pad now or after home is totally set. Angle drive pins may be driven up to ten degrees (10) off of vertical. If you choose to drive pins after home is set, do not cover slots in pier pad.
- 5 Level home on concrete blocks or steel pier by Minute Man.
- 6 Install Longitudinal and Lateral Bracing in accordance with Systems Placement Plan and Detail Assembly Drawing. **(2 longitudinal brace tubes per system in Wind Zone II & III).**
- 7 Install vertical anchors and ties.

MMAPO08.2 R-3

Thank you for using Minute Man Products, Inc. If you have any questions, please call  
Toll Free at (800) 438-7277.

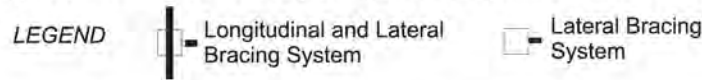
MADE IN THE USA

305 West King St. East Flat Rock, North Carolina 28726

# ZONE II LONGITUDINAL AND LATERAL BRACING SYSTEMS PLACEMENT

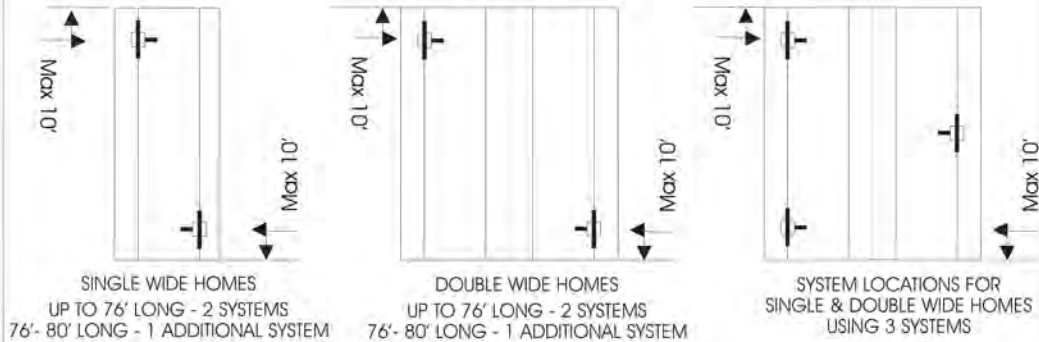
No frame ties or stabilizer plates required. **Vertical tie anchors are required in accordance with home manufacturer instructions.** Systems must be as equally spaced as possible. (Triple wides and tag units require 2 additional systems. Place additional systems at the ends of the exposed side of the home.)

**2 longitudinal brace tubes per-system required in Wind Zone II.**



HOME DIMENSIONS REPRESENT BOX SIZE- FOR HOMES OVER 80' CALL MMA

## 4/12 ROOF PITCH

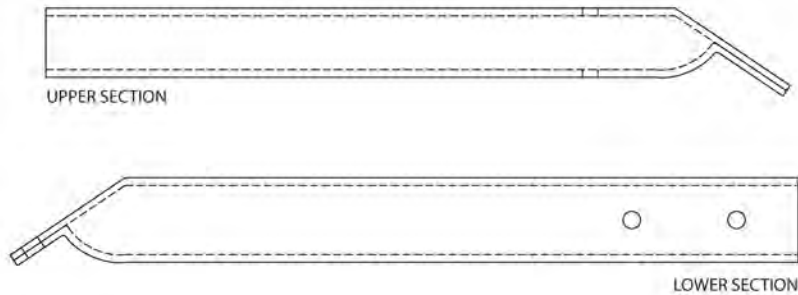


Home's Length ft.	Roof Pitch/Degree of Slope				
	5:12	6:12	7:12	8:12	9:12
	22.62°	26.57°	30.26°	33.69°	36.87°
34'	2	2	2	2	2
36'	2	2	2	2	2
38'	2	2	2	2	2
40'	2	2	2	2	2
42'	2	2	2	2	3
44'	2	2	2	3	3
46'	2	2	2	3	3
48'	2	2	3	3	3
50'	2	3	3	3	3
52'	2	3	3	3	3
54'	3	3	3	3	3
56'	3	3	3	3	3

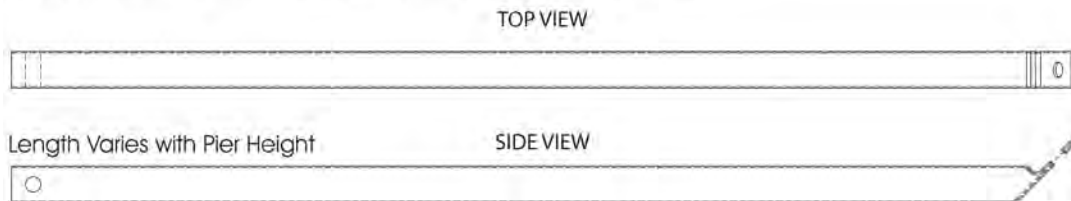
Home's Length ft.	Roof Pitch/Degree of Slope				
	5:12	6:12	7:12	8:12	9:12
	22.62°	26.57°	30.26°	33.69°	36.87°
58'	3	3	3	3	3
60'	3	3	3	3	3
62'	3	3	3	3	3
64'	3	3	3	3	4
66'	3	3	3	4	4
68'	3	3	3	4	4
70'	3	3	4	4	4
72'	3	3	4	4	4
74'	3	3	4	4	4
76'	3	4	4	4	4
78'	3	4	4	4	4
80'	3	4	4	4	4

**Call Minute Man Products for system requirements on homes with 9' Sidewalls**

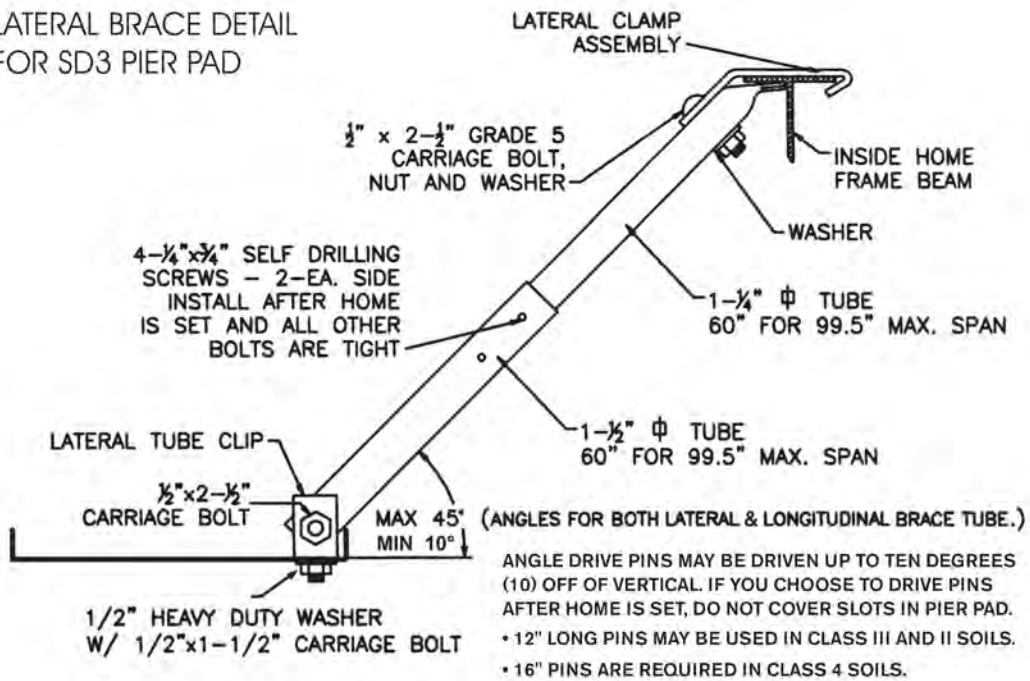
## LATERAL BRACE FLEX TUBES FOR CONCRETE



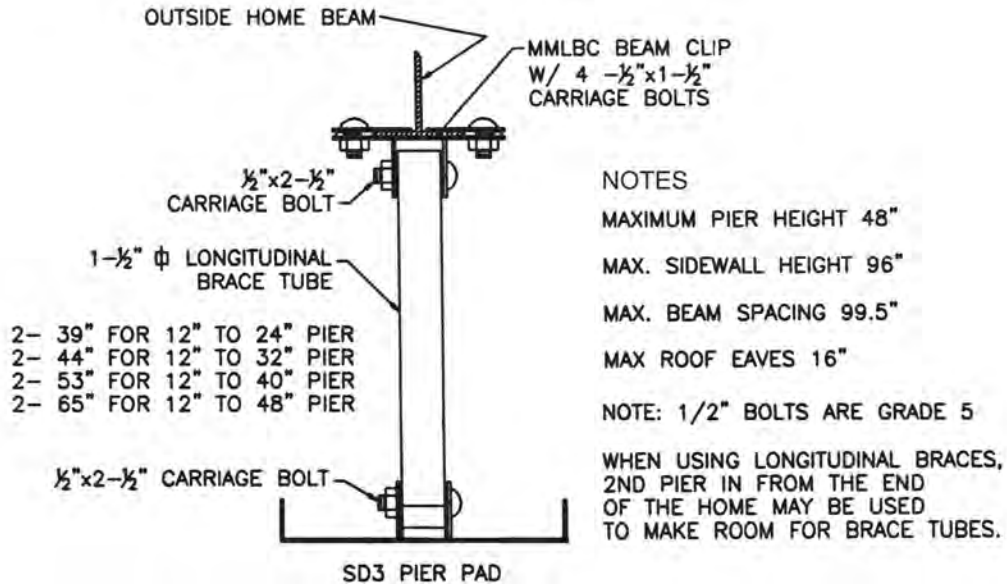
## LONGITUDINAL BRACE FLEX TUBES FOR CONCRETE



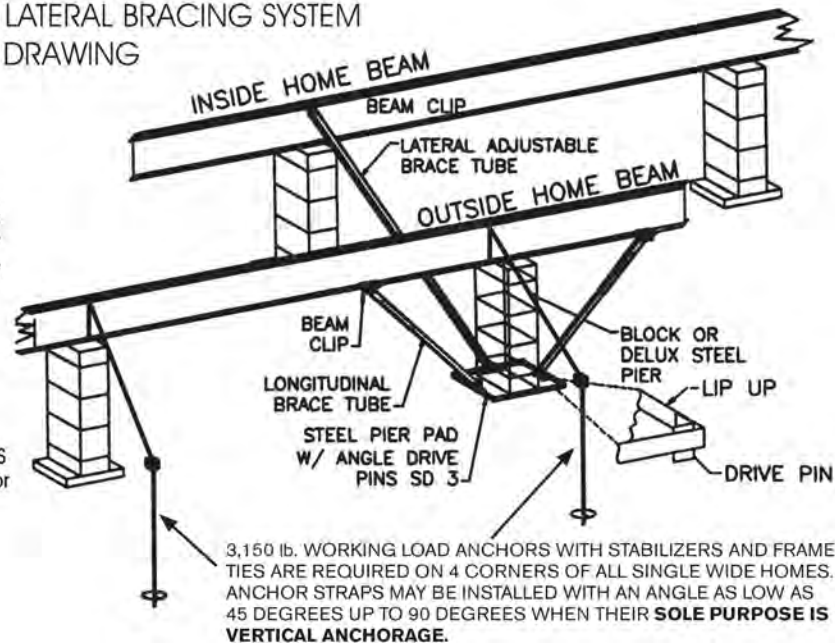
## LATERAL BRACE DETAIL FOR SD3 PIER PAD



## LONGITUDINAL BRACE DETAIL FOR SD3 PIER PAD



## LONGITUDINAL & LATERAL BRACING SYSTEM DETAIL ASSEMBLY DRAWING



The Minute Man Anchors LLBS  
Bracing System was tested for  
Wind Zones I, II, & III  
Tested 10/10/01  
Rev. 3/6/02  
Rev. 7/14/04  
Rev. 2/1/10  
Rev. 1/1/15

LLBS Longitudinal and Lateral Bracing System engineering certification for  
Wind Zones I, II & III, ground and concrete applications.

I hereby certify that this plan, specification, or report was prepared by me or under my direct supervision and that I am a duly Licensed Professional Engineer under the laws of the State of Minnesota.

*Paul W. Hayman*  
PAUL W. HAYMAN

DATE: \_\_\_\_\_ REG. NO. 46289



10/11/2012

2/28/12

3/3/2014