

Minute Man **Anchors, inc.**

Installation Instructions for LLBS Longitudinal and Lateral Bracing System Wind Zones I-II & III ground and concrete applications

Special State requirements

Alabama - Maximum Pier Height 32". HUD Code Homes Only.

Florida - See Florida zone II & III Instructions.

Michigan - Foundation depth must be 42" below grade as per Chapter 1805.2.1 2000 Michigan Building Code.

Missouri - Anchors, stabilizer devices and frame ties with an allowable working load equal to or exceeding 3150 lbs. and are capable of withstanding a 50% overload (4725 lbs total) are required within 2' of the 4 corners on all single wide homes.

North Carolina - Requires that the bottom of footings be placed 4" under the soil, or at the frost line.

Minute Man Anchors LLBS System must be installed in complete accordance with Minute Man Anchors Installation instructions and the Home Manufacturer's Instructions.

Minute Man Anchors LLBS System is evaluated, tested and approved by a Professional Engineer.

Minute Man Anchors LLBS System must be allowed by the authority having jurisdiction.

Thank you for using Minute Man Products, Inc. If you have any questions, please call us at: (828) 692-0256

Minute Man anchors[®], inc.

LIMITED WARRANTY

Minute Man Anchors, Inc. warrants its product is free from defects in materials and Workmanship at the time of installation when properly installed in accordance with the Installation instructions. THE FOREGOING WARRANTY IS IN LIEU OF ANY OTHER WARRANTY, WHETHER EXPRESS OR IMPLIED, WRITTEN OR ORAL, INCLUDING ANY WARRANT OF MERCHANTABILITY OR FITNESS FOR A PARTICULAR PURPOSE. ANY LIABILITY IS EXPRESSLY LIMITED TO AN AMOUNT EQUAL TO THE PURCHASE PRICE PAID, AND ALL CLAIMS FOR SPECIAL, INCIDENTAL AND CONSEQUENTIAL DAMAGES ARE HEREBY EXCLUDED. Minute Man does not assume any other liability or obligation in connection with the sale or use of this product.

If the product is defective at the time of delivery or installation and you give prompt notice to Minute Man no later than thirty (30) days of attempted installation of the defect, Minute Man, at its option, will replace the product at no cost or refund the full amount of the purchase price, provided the defective product is returned to Minute Man with proof of purchase at the address set forth below. **PRODUCT REPLACEMENT OR REFUND IS YOUR SOLE AND EXCLUSIVE REMEDY.**

This warranty extends only to the distributor and original installer of the product and does not cover a defect resulting from abuse, misuse, neglect, repairs, any use not in conformity with the printed instructions or installation by unauthorized personnel.

This warranty gives you specific legal rights, and you may also have other legal rights which vary from state to state. Some states do not allow limitations on implied warranties or special, incidental or consequential damages, so the foregoing limitations may not apply to you.

If you have a claim under this warranty, please contact our CUSTOMER SERVICE department (have model and type numbers available):

CUSTOMER SERVICE

Toll Free in the U.S. 1-800-438-7277

1-828-692-0256

OR WRITE TO:

Minute Man-Customer Service

305 West King Street

East Flat Rock, NC 28726

To our knowledge, the information provided in and by the independent, profession engineers' reports and certifications and obtained from other independent sources contained in the installation instructions and product manuals is accurate. However, Minute Man Anchors, Inc. cannot assume any liability whatsoever for the accuracy or completeness thereof. Final determination of the suitability of any information or material for the use contemplated is the sole responsibility of the user. Specifications are subject to change without notice. The load ratings established in the report are not valid in any application where the use of the product would overload any structural member of the home or foundation.

6622439

Minute Man **Anchors, inc.**

Installation Instructions for Model LLBS Longitudinal and Lateral Bracing System Approved for Florida

Note: Your set must be designed by a Registered Professional Engineer if all or one of the following conditions occur:

Location is within 1,500 feet of Coast	Roof eaves exceeds 16"
Pier Height exceeds 48"	Main beam spacing exceeds 99.5"
Sidewall height exceeds 96"	

- 1 Refer to the Home Manufacturer Installation Instructions for pier locations. 6" Disc anchors 48" long with vertical ties are required at maximum 5'-4" center along both sidewalls starting a maximum of 2'-0" in from each end of the home. Vertical ties must be used at all connection points furnished by the home manufacturer. Centerline anchors to be sized according to soil torque condition. Any manufacturer's specifications for sidewall anchor loads in excess of 4,000 lbs require a 5' anchor.
- 2 Refer to the Systems Placement Plans for the location of Longitudinal Lateral Bracing System. **(See Attached)**. Each system is required to have a frame tie and stabilizer attached at each lateral arm stabilizing location.
- 3 Remove turf to expose firm soil at each SD3 pad location.
- 4 Attach tube clip to SD3 pier pads (see Detail Assembly Drawing) center pad under beam, level pad. Angle Drive Pins may be driven vertically through four (4) slots in SD3 pier pad now or after home is totally set. Angle drive pins may be driven up to ten degrees (10) off of vertical. If you choose to drive pins after home is set, do not cover slots in pier pad. 16" Drive pins must be used in Florida.
- 5 Level home on concrete blocks or deluxe steel pier by Minute Man.
- 6 Install Longitudinal and Lateral Bracing in accordance with Systems Placement Plan and Detail Assembly Drawing.
- 7 Install vertical anchors , frame ties and stabilizers at each lateral arm system location..

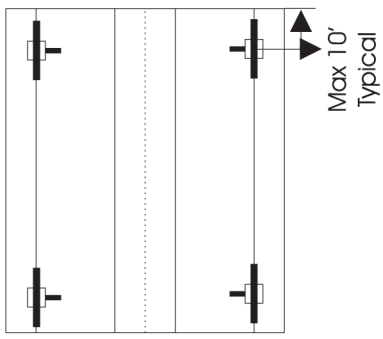
Thank you for using Minute Man Products, Inc. If you have any questions, please call Toll Free at (800) 438-7277. MMAP007,2 R-4

MADE IN THE USA
305 West King St. East Flat Rock, North Carolina 28726

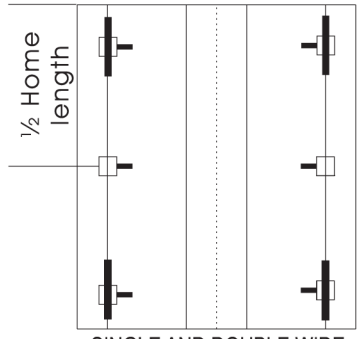
FLORIDA ZONE II AND III LONGITUDINAL AND LATERAL BRACING SYSTEMS PLACEMENT

*For Roof slopes up to 4/12 pitch
Each system is required to have a frame tie and stabilizer attached at each lateral arm stabilizing location.*

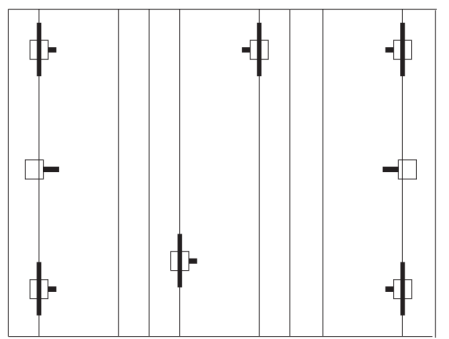
HOME DIMENSIONS REPRESENT BOX SIZE



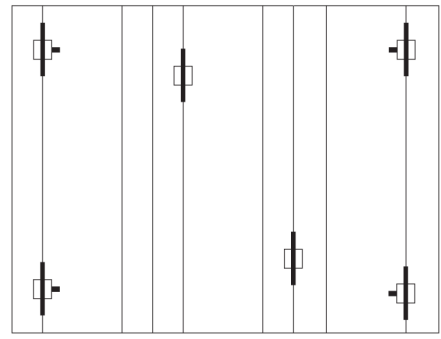
SINGLE AND DOUBLE WIDE
UP TO 48' LONG - 4 SYSTEMS
52' INCLUDING HITCH



SINGLE AND DOUBLE WIDE
49'-76' LONG - 6 SYSTEMS
80' INCLUDING HITCH



FOR TRIPLE WIDE OR TAG UNITS-
8 SYSTEMS OVER 52' BOX/ 56' INCLUDING HITCH



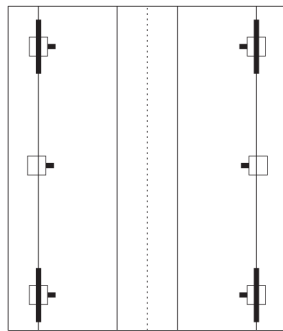
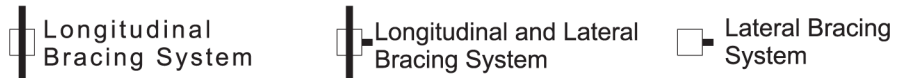
FOR TRIPLE WIDE OR TAG UNITS-
6 SYSTEMS UP TO
52' BOX/ 56' INCLUDING HITCH

FLORIDA ZONE II AND III LONGITUDINAL AND LATERAL BRACING SYSTEMS PLACEMENT

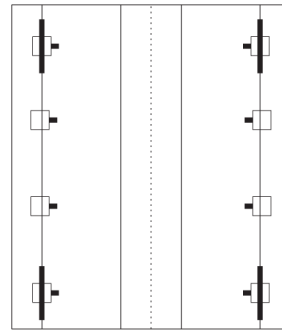
For 5/12 Roof Pitch

Each system is required to have a frame tie and stabilizer attached at each lateral arm stabilizing location. Systems must be as evenly spaced as possible.

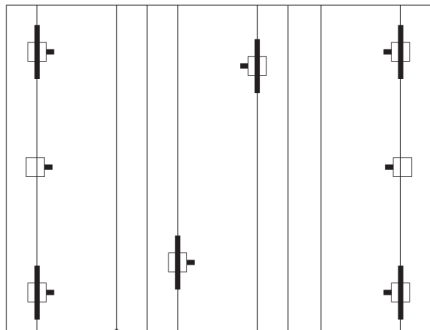
HOME DIMENSIONS REPRESENT BOX SIZE



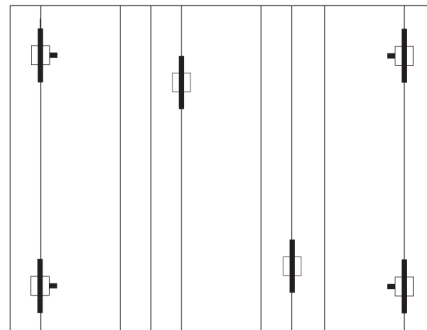
SINGLE AND DOUBLE WIDE
UP TO 32' WIDE AND 52' LONG
6 SYSTEMS
56' INCLUDING HITCH



SINGLE AND DOUBLE WIDE
UP TO 32' WIDE AND 76' LONG
8 SYSTEMS
80' INCLUDING HITCH



FOR TRIPLE WIDE OR TAG UNITS-
8 SYSTEMS OVER 52' BOX/ 56' INCLUDING HITCH

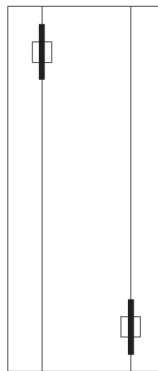


FOR TRIPLE WIDE OR TAG UNITS-
6 SYSTEMS- UP TO
52' BOX/ 56' INCLUDING HITCH

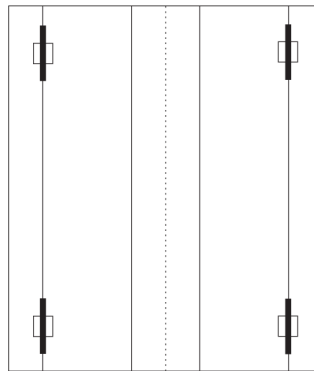
LONGITUDINAL BRACING SYSTEMS PLACEMENT FOR FLORIDA

Use minimum 650 DH anchors and 180 square inch stabilizers with frames at maximums 5'-4" centers. Vertical ties must be used at all connection points furnished by the home manufacturer's instructions or in the case of used homes where designated on centerline. (SEE FLORIDA RULE 15C-1.) Marriagewall anchors must be used in accordance with home manufacturers instructions. For roof slopes up to 5/12 pitch systems must be placed no more than 16' from end of home.

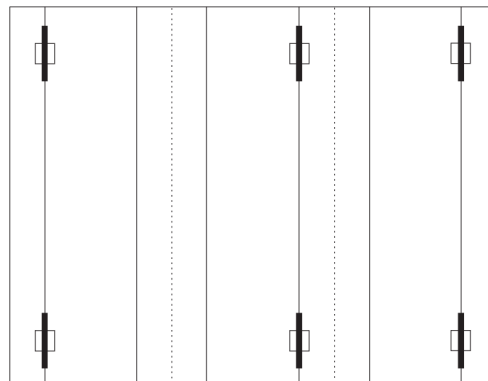
 Longitudinal Bracing System



UP TO 16' SINGLE WIDE



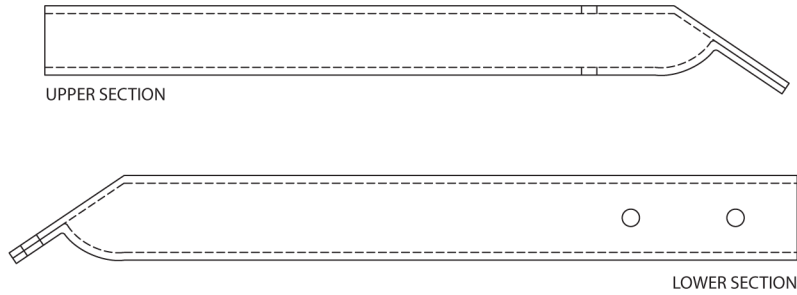
UP TO 32' DOUBLE WIDE



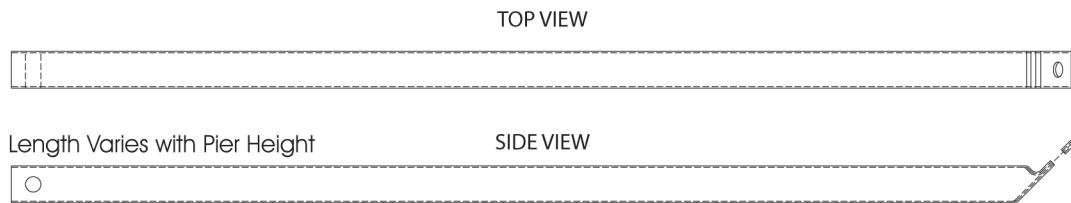
UP TO 52' TRIPLE WIDE
OR DOUBLE WIDE WITH TAG

See Longitudinal and Lateral Bracing System detail assembly drawing.

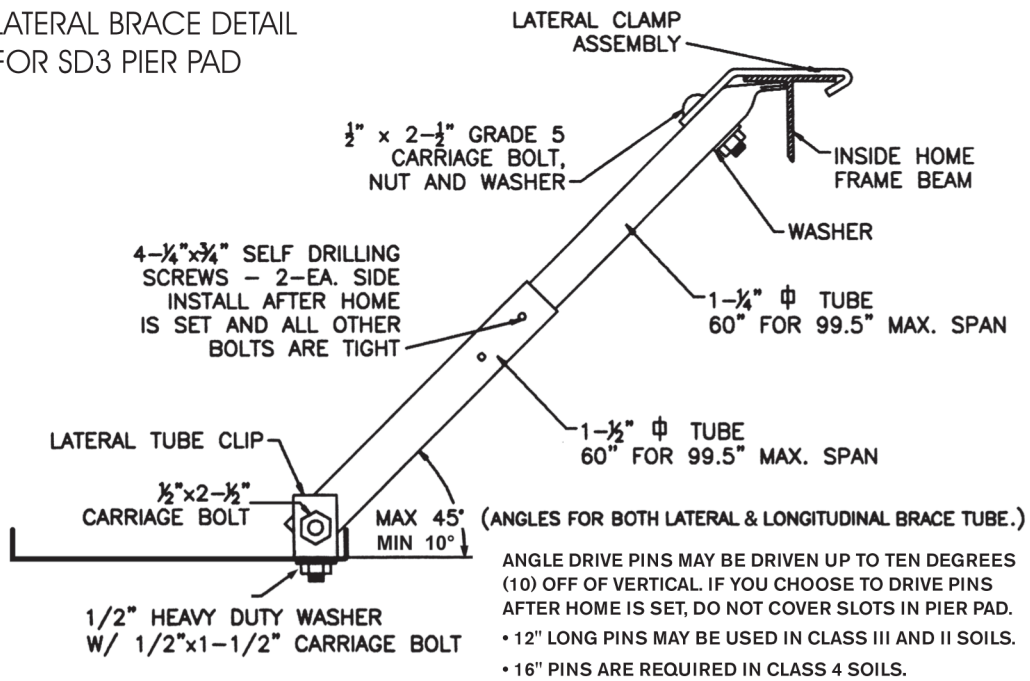
LATERAL BRACE FLEX TUBES FOR CONCRETE



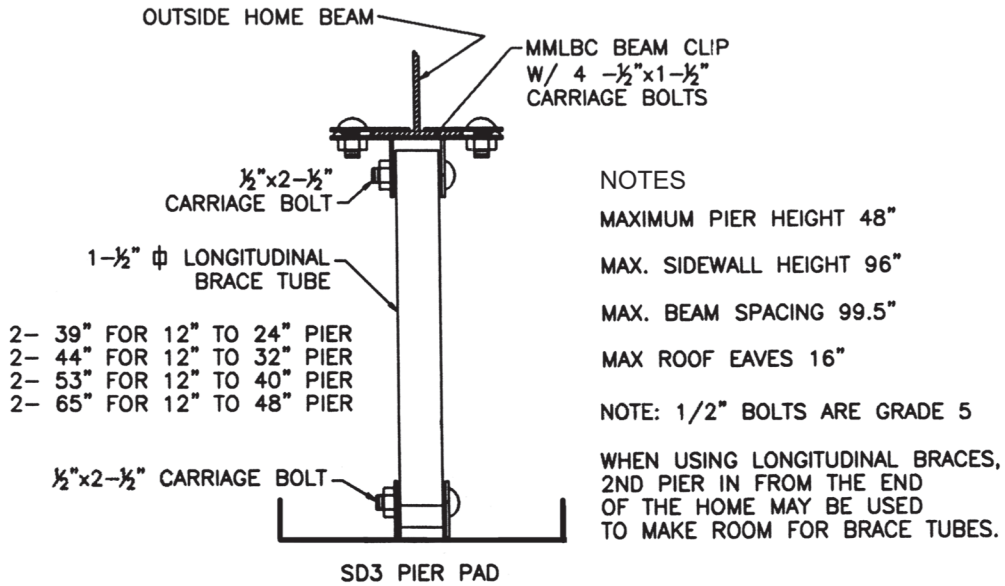
LONGITUDINAL BRACE FLEX TUBES FOR CONCRETE



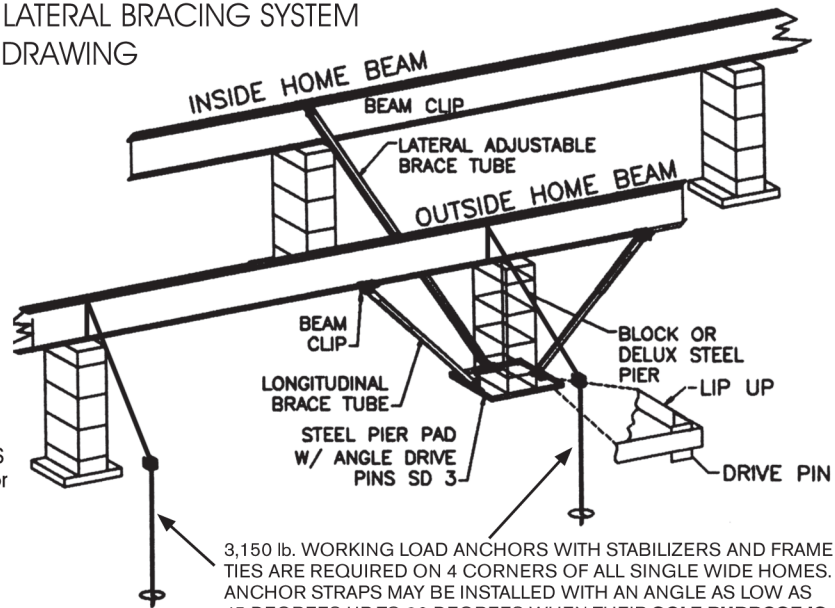
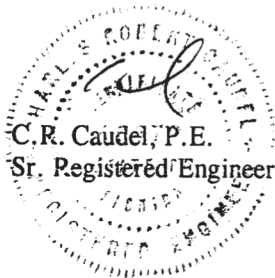
LATERAL BRACE DETAIL FOR SD3 PIER PAD



LONGITUDINAL BRACE DETAIL FOR SD3 PIER PAD



LONGITUDINAL & LATERAL BRACING SYSTEM
DETAIL ASSEMBLY DRAWING



The Minute Man Anchors LLBS
Bracing System was tested for
Wind Zones I, II, & III
Tested 10/10/01
Rev. 3/6/02
Rev. 7/14/04
Rev. 2/1/10
Rev. 1/1/15

LLBS Longitudinal and Lateral Bracing System engineering certification for
Wind Zones I, II & III, ground and concrete applications.

I hereby certify that this plan, specification, or report was prepared by me or under my direct supervision and that I am a duly Licensed Professional Engineer under the laws of the State of Minnesota.
Paul W. Hayman
PAUL W. HAYMAN
DATE _____ REG. NO. 49290



C-3835 Hayman Engineering, Inc
8006 Crofton Lane
Durham, NC 27713
(919) 482-6303



10/11/2012

2/28/12

3/3/2014