

Note: Prior to installation, refer to any local, state and federal regulations, to assure proper compliance. Soil test probe the anchor location in order to match the soil classification with the proper anchor.

Minute Man[®] anchors, inc.

ANCHOR INSTALLATION

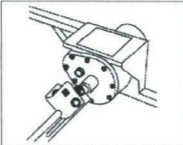
There are two basic methods of installing anchors, each equally effective in properly securing manufactured homes to the ground.

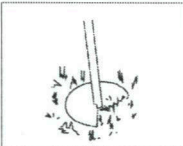
CAUTION: The installation of anchors with a drive machine is a two person operation.

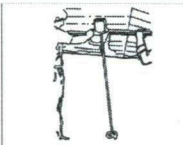
Warning: Before ground anchor installation, determine that the anchor locations around home will not be close to any underground electrical cables, water lines or sewer piping. Failure to determine the location of electrical cables may result in serious personal injury.

MACHINE INSTALLATION

In this method, the anchor is turned to full depth into the ground by an anchor drive machine.

- 

1. Attach anchor to machine.
- 

2. Placed anchor in proper position in line with strap and machine.
- 

3. Anchor should be installed at a slight angle as shown to assure head being positioned behind future skirting.

MANUAL INSTALLATION

A hole is dug to a depth of approximately $\frac{1}{2}$ the length of the anchor, in the proper position as explained under machine installation.



After the hole is dug to $\frac{1}{2}$ the length of the anchor, then the anchor is turned into the ground by hand, using a rod or length of pipe for leverage or by machine.

After anchor is installed full depth, earth is repacked, six inches at a time.