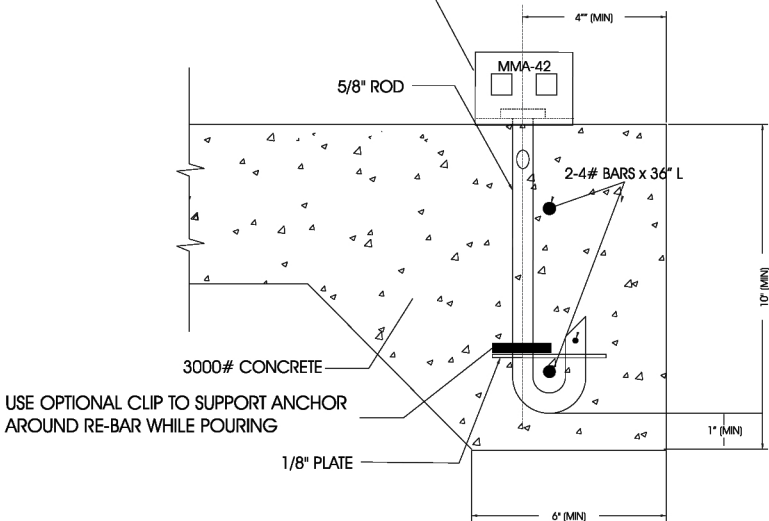


# 210 JDH CONCRETE ANCHOR

DOUBLE HEAD SLAB ANCHOR 210 JDH



1. MINIMUM ANCHOR EMBEDMENT = 6"
2. MAXIMUM LOAD PER ANCHOR = 4725 lb.
3. MINIMUM SLAB PER ANCHOR:  
4" SLAB = 95 S.F.  
6" SLAB = 65 S.F.  
8" SLAB = 48 S.F.
4. MARK: MMA 42